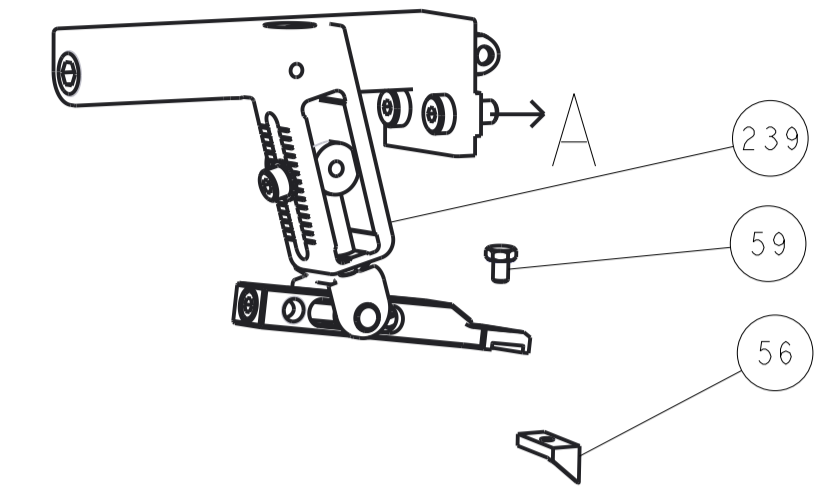


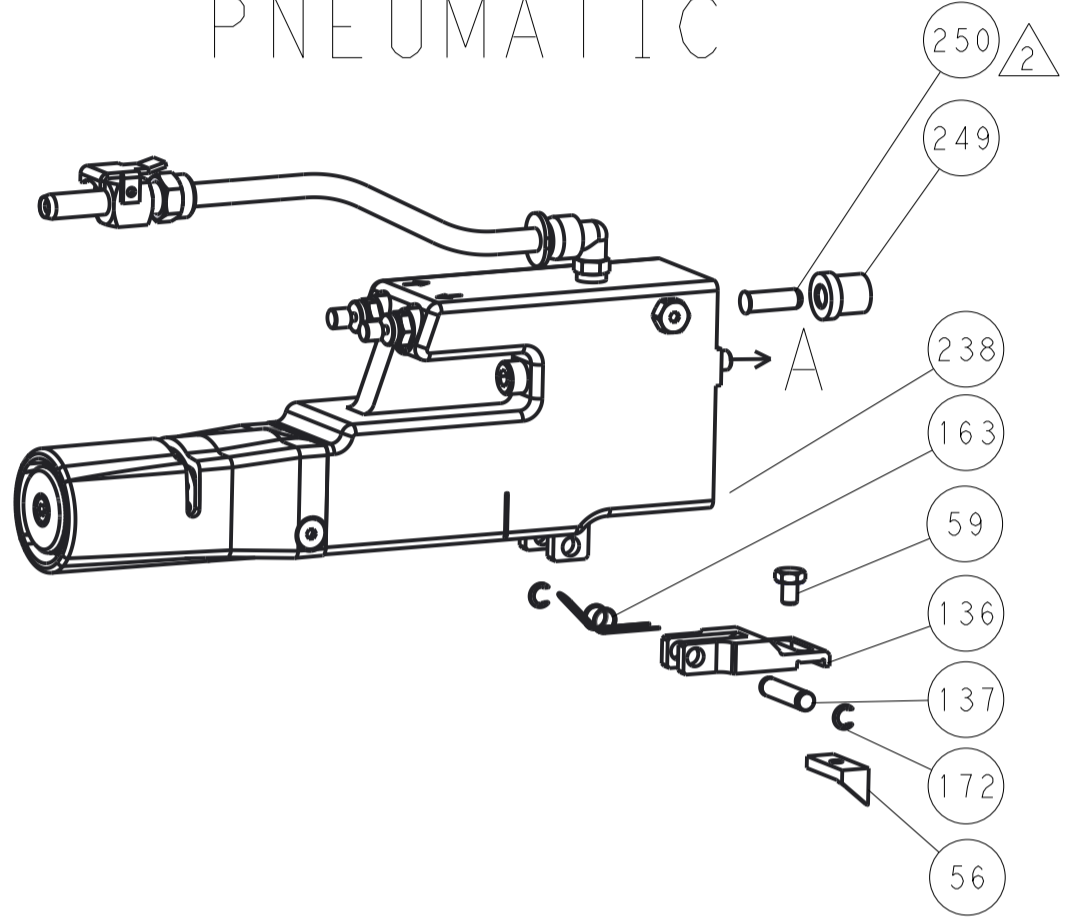


LOC		DIST		REVISIONS			
A	66	P	LTM	DESCRIPTION	DATE	DWN	APVD
		-	-	SEE SHEET 1	-	-	-

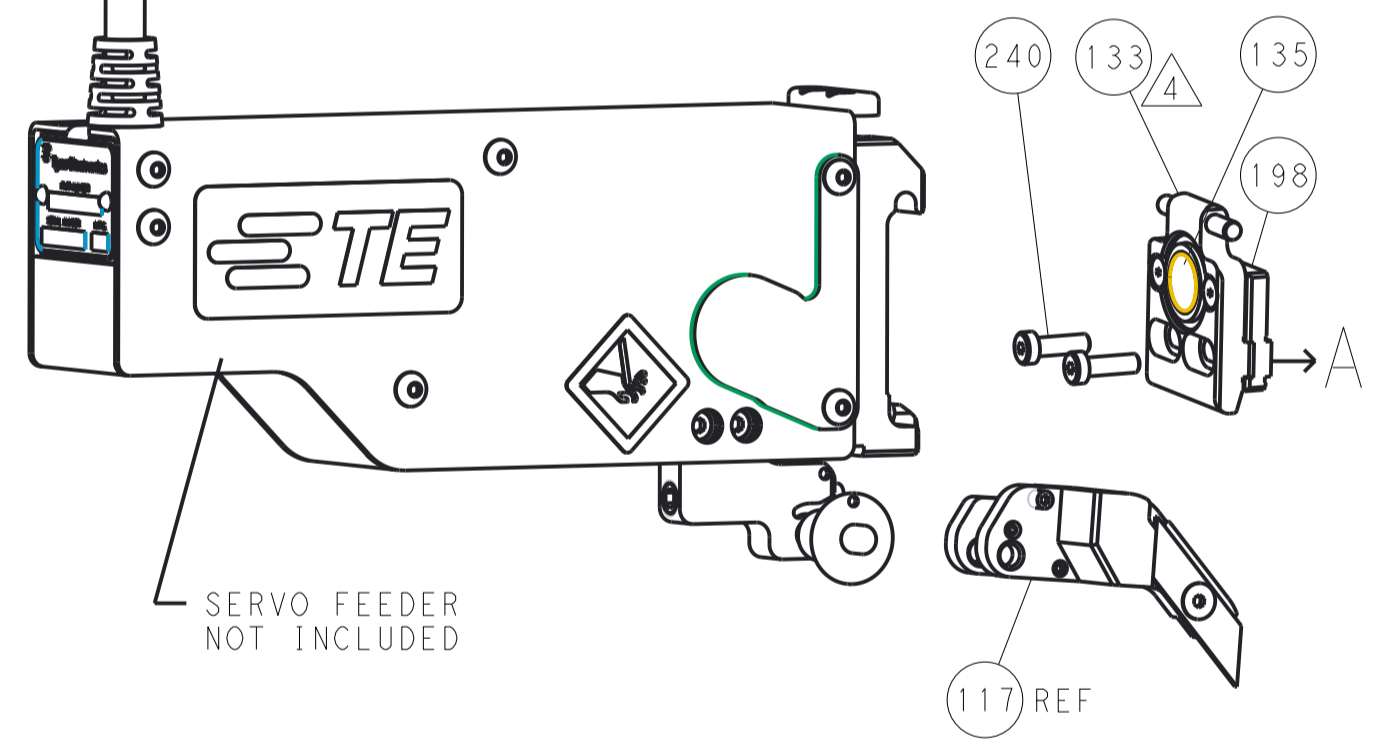
# FEED TYPE MECHANICAL



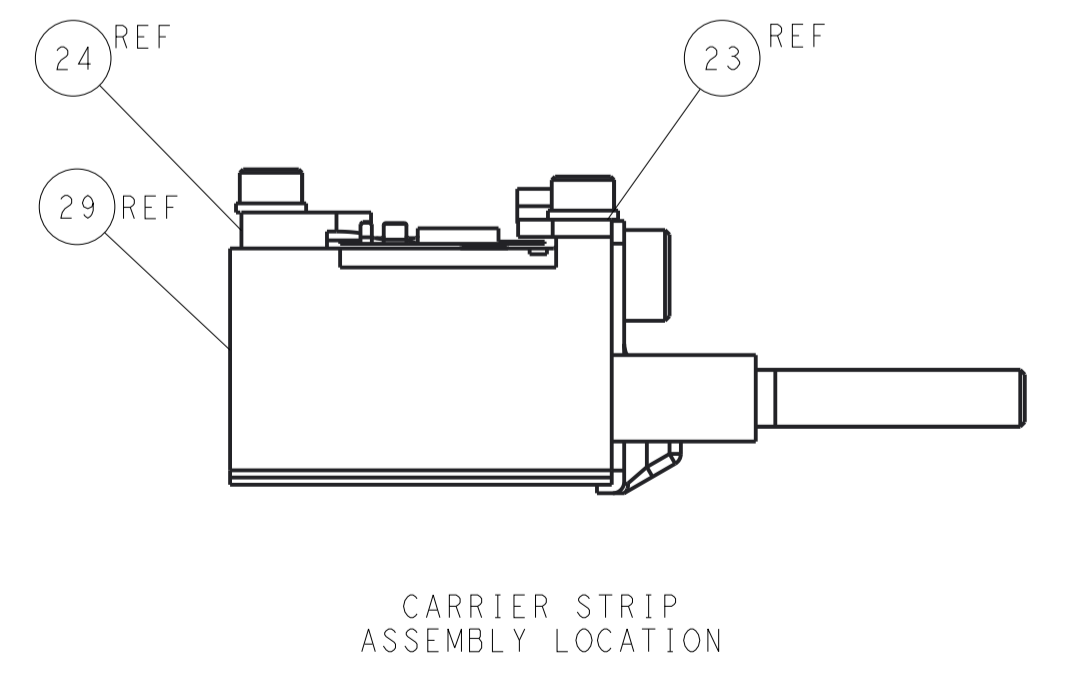
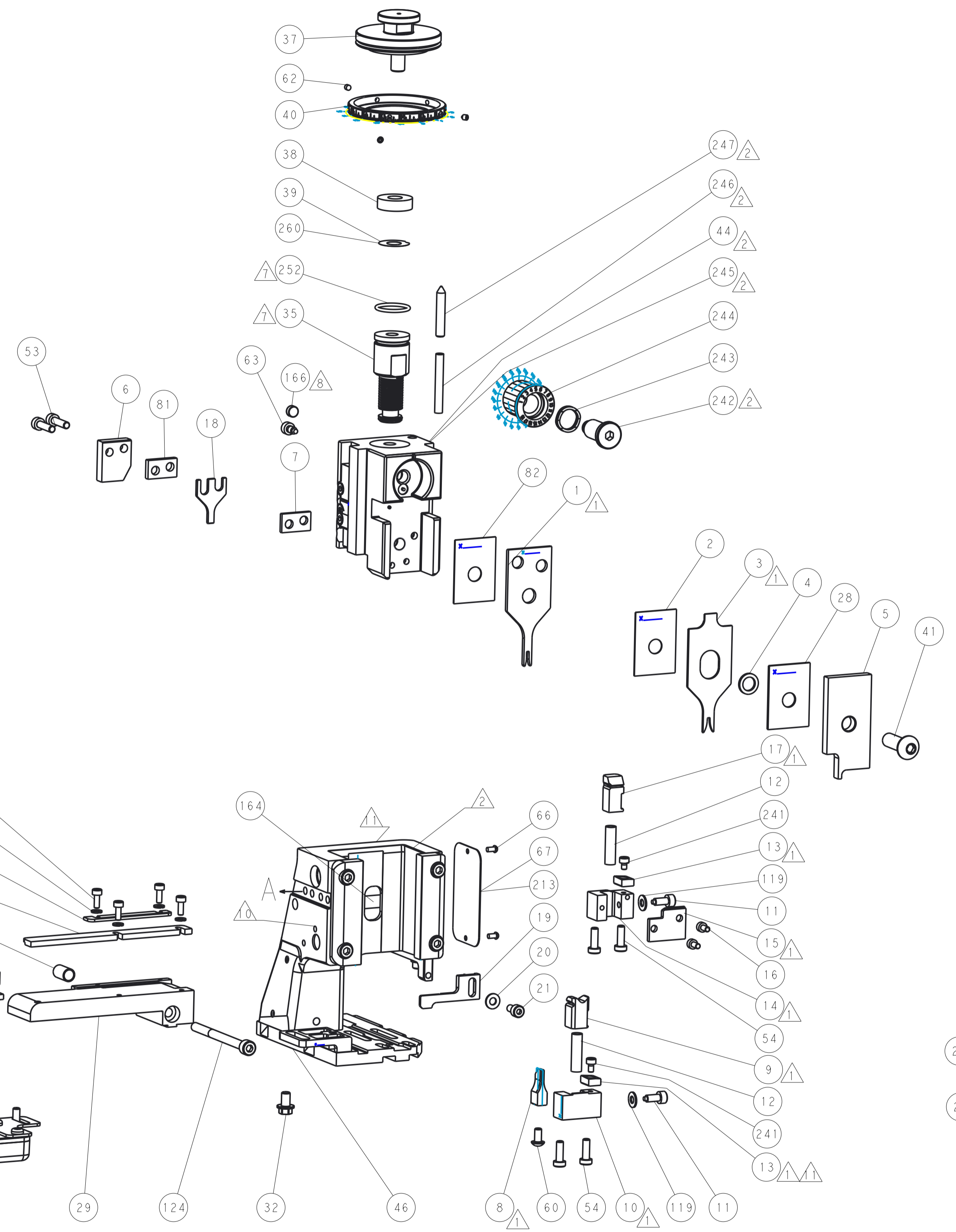
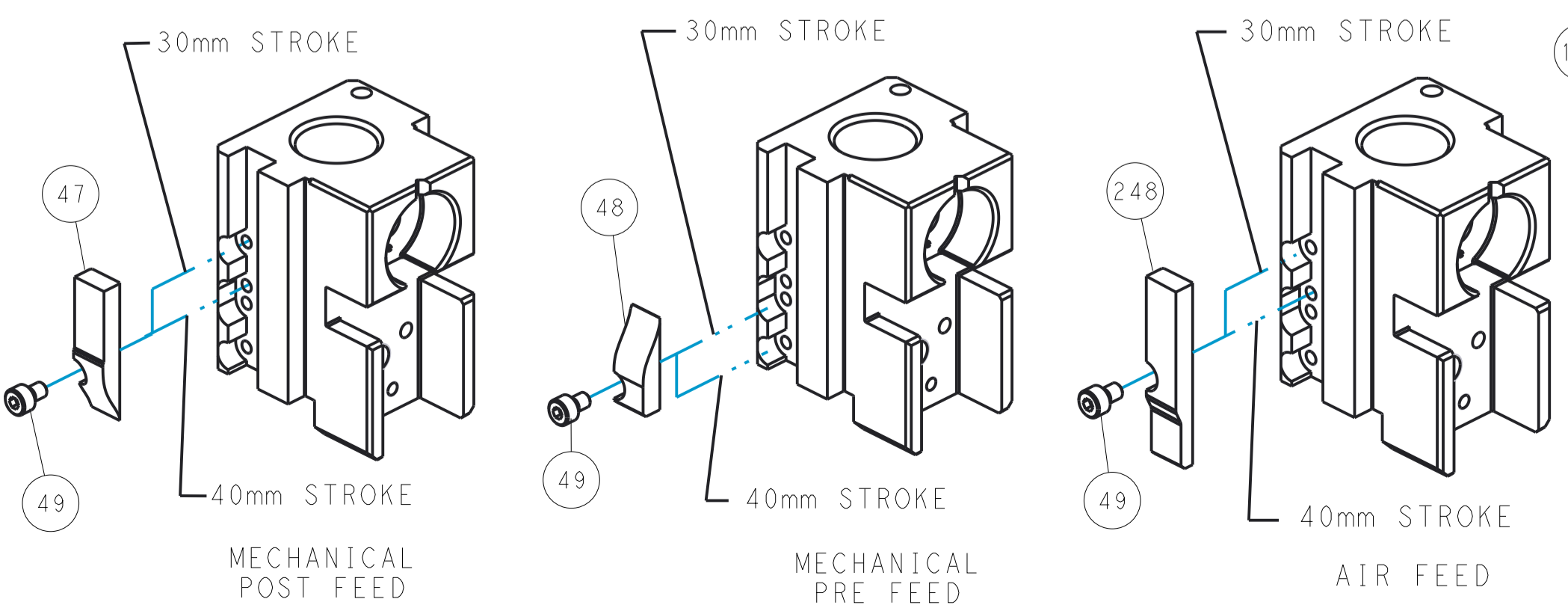
# PNEUMATIC



# SERVO LATCH PLATE



# CAM POSITIONS



**ATLANTIC VERSION**  
 Shown on sheets 1 of 4 & 2 of 4  
 (Pacific version shown on sheets 3 of 4 & 4 of 4)

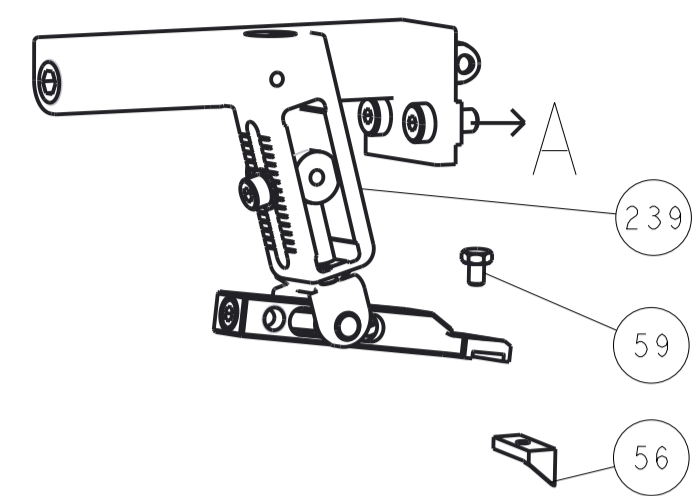
DIMENSIONS:		TOLERANCES UNLESS OTHERWISE SPECIFIED:		DWN L. ZHANG 16NOV2011		TE Connectivity	
mm	0 PLC ±0.5	1 PLC ±0.13	3 PLC ±0.013	4 PLC ±0.001	APVD S. XI 16NOV2011	Harrisburg, PA 17105-3608	
MATERIAL:		FINISH:		NAME: Ocean Side Feed Applicator		RESTRICTED TO:	
Customer Accessible Production Drawing		SCALE: 1:2		SHEET 2 OF 4		REV E1	



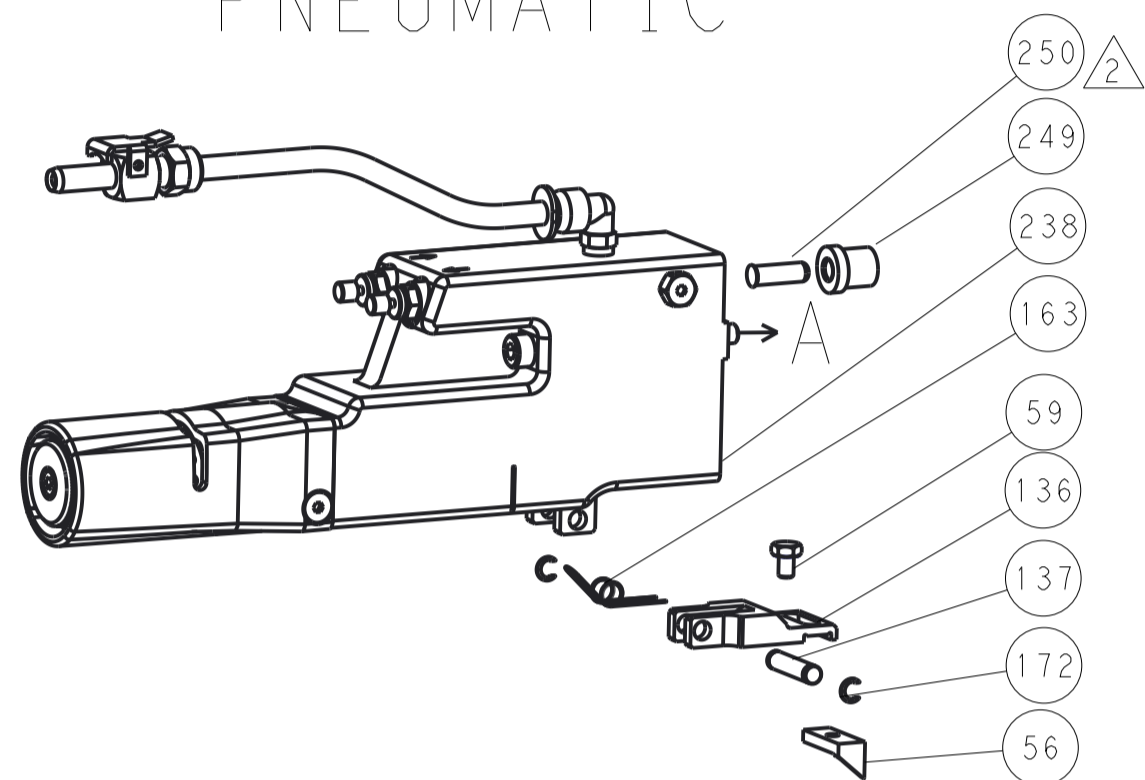
REVISONS		DATE	DWN	APVD
LOC	DIST			
A	66			
P	LTM	DESCRIPTION		
		SEE SHEET 1		

# FEED TYPE

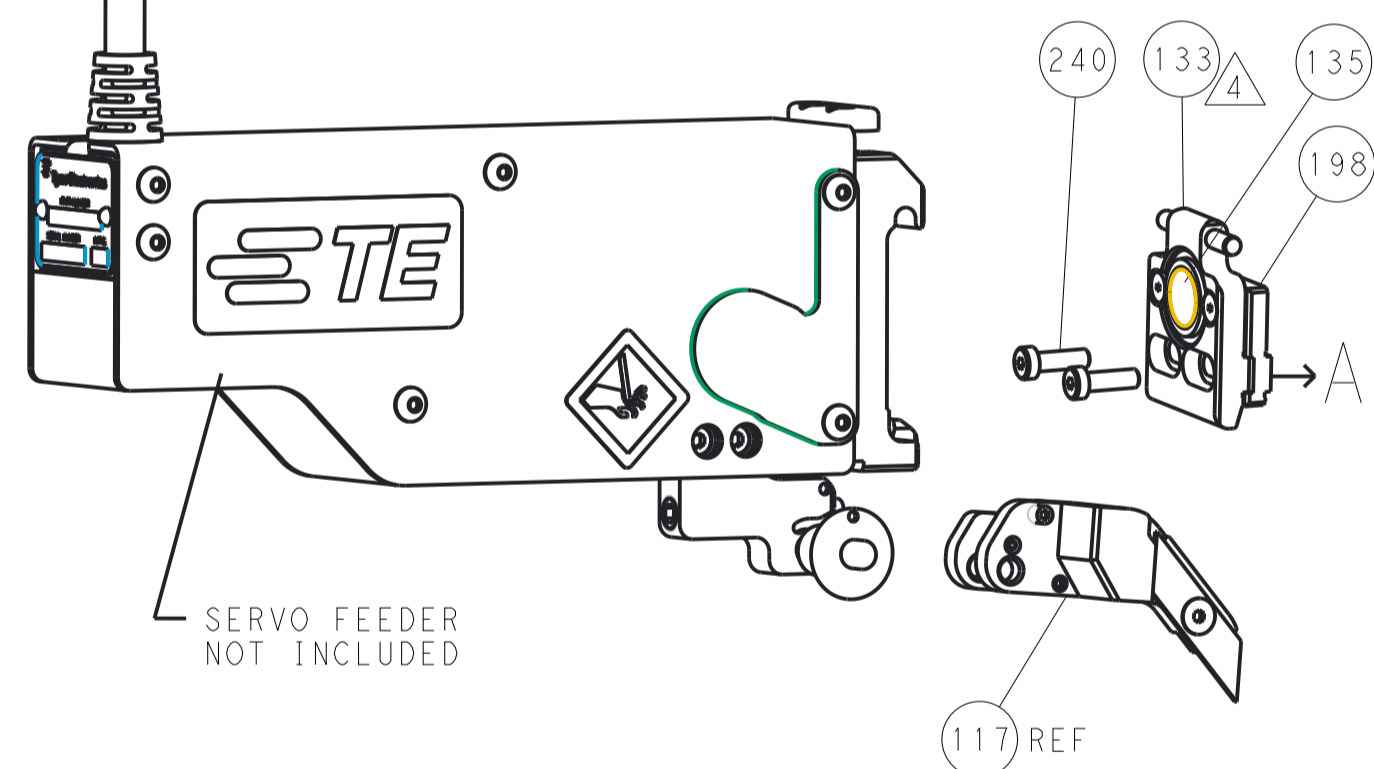
## MECHANICAL



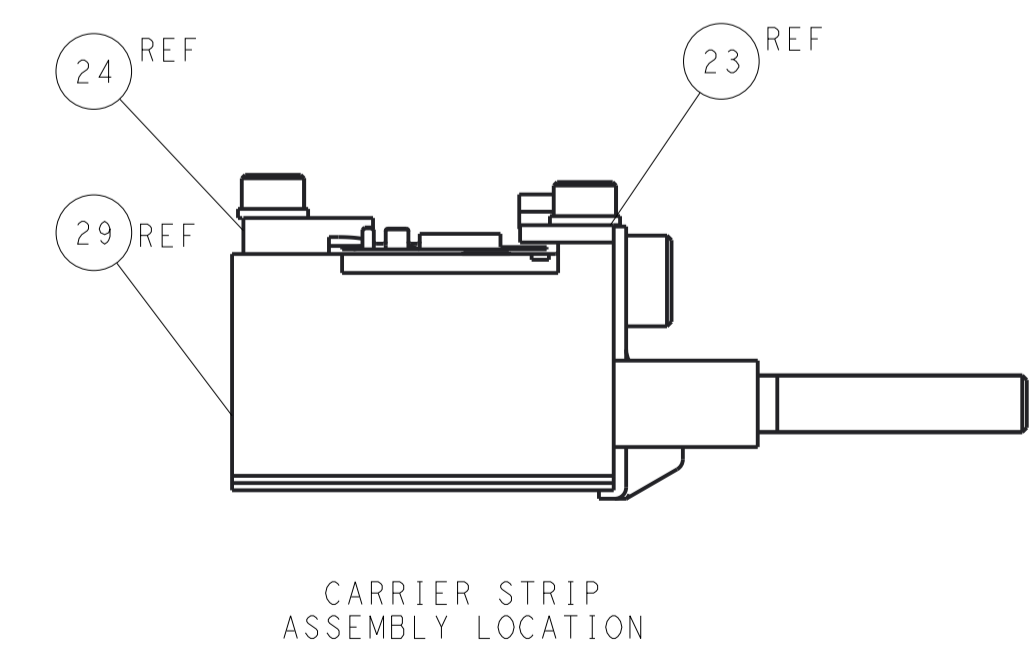
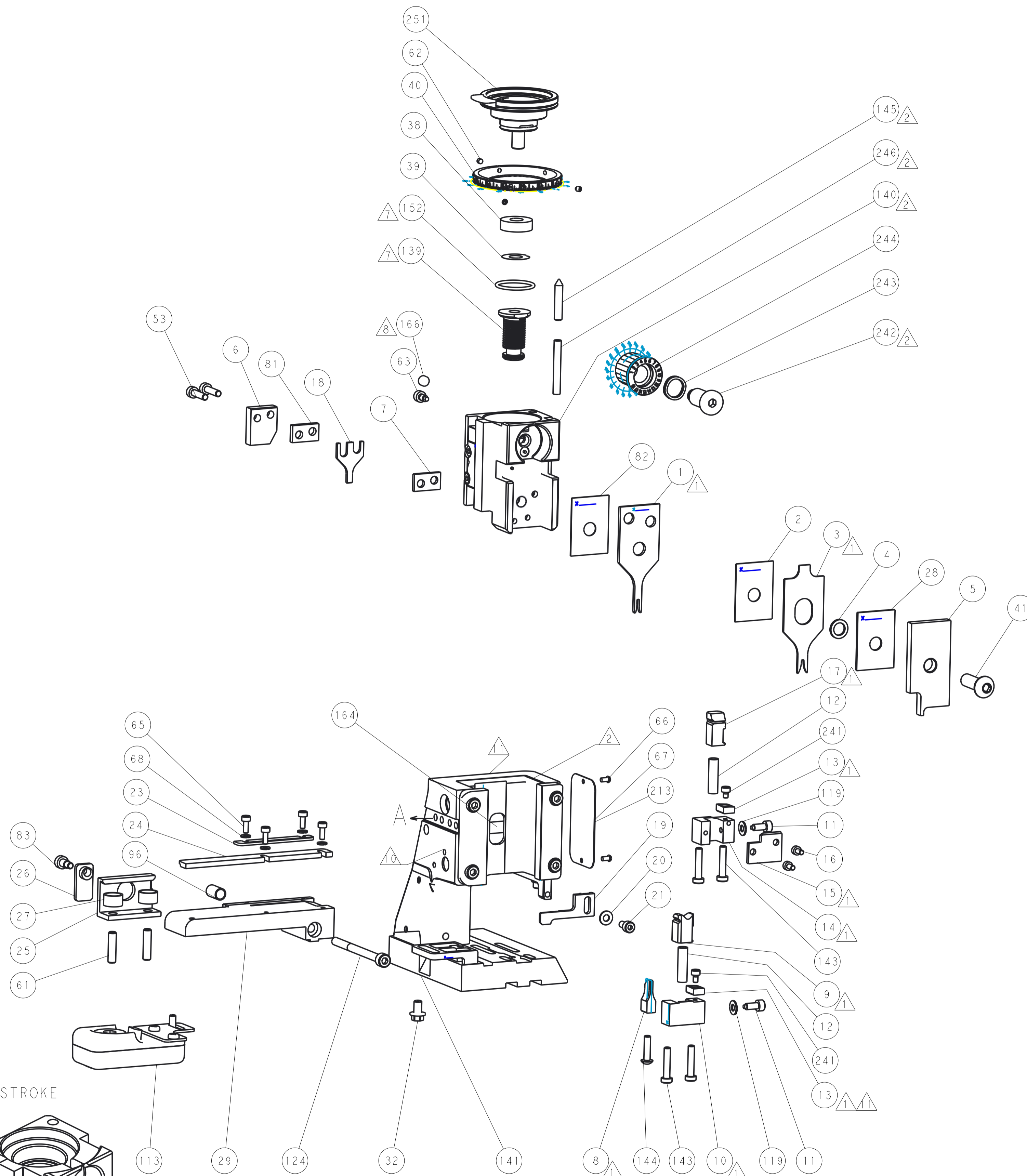
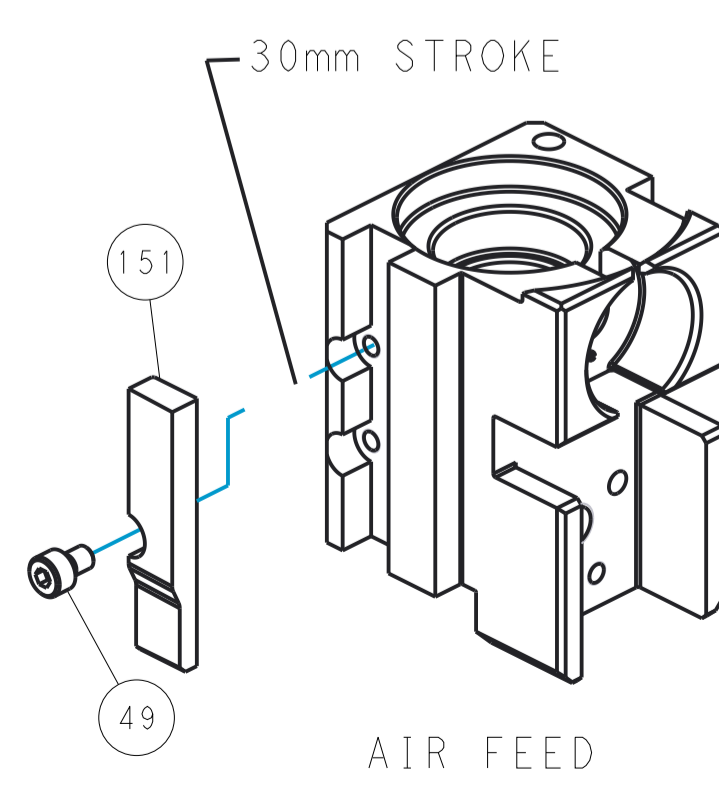
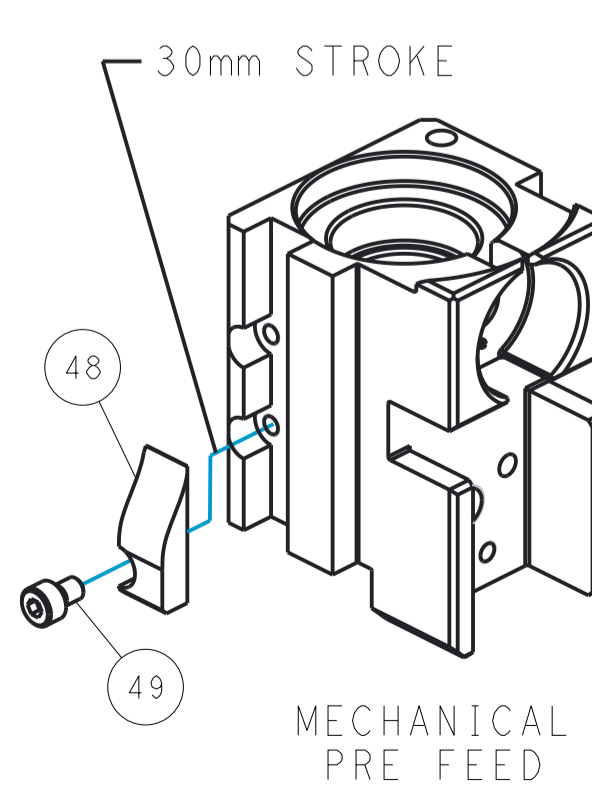
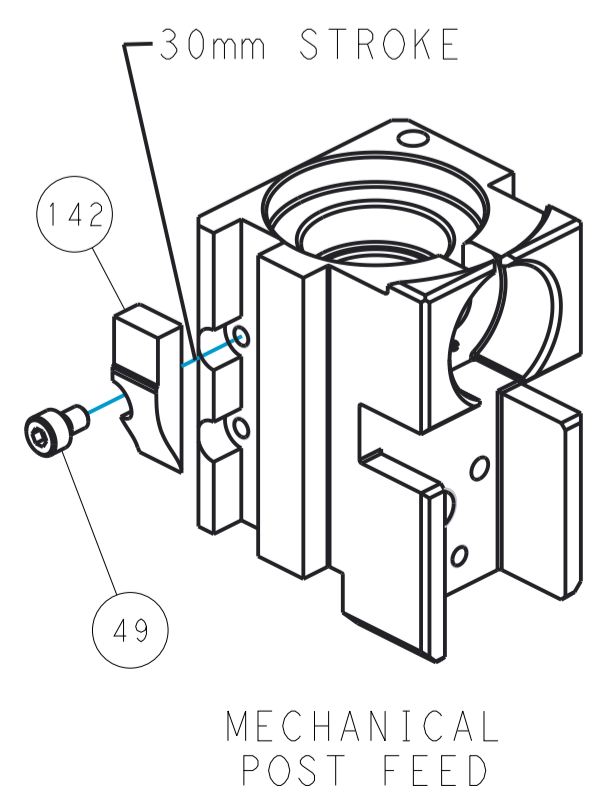
## PNEUMATIC



## SERVO LATCH PLATE



# CAM POSITIONS



**PACIFIC VERSION**  
 Shown on sheets 3 of 4 & 4 of 4  
 (Atlantic version shown on sheets 1 of 4 & 2 of 4)

DIMENSIONS:		TOLERANCES UNLESS OTHERWISE SPECIFIED:		DWN		TE Connectivity	
mm	0 PLC	±	0.13	L. ZHANG	16NOV2011	Harrisburg, PA 17105-3608	
	1 PLC	±	0.5	L. ZHANG	16NOV2011	NAME	
	2 PLC	±	0.13	S. XI	16NOV2011	Ocean Side Feed	
	3 PLC	±	0.013			Applicator	
	4 PLC	±	0.001			RESTRICTED TO	
	ANGLES	±	0.0001			SIZE CAGE CODE DRAWING NO	
MATERIAL	FINISH					A   00779 ©=2151022	
Customer Accessible Production Drawing		SCALE	1:2	SHEET 4 OF 4		REV E1	